

## Application Note

### **Running Gigabit Ethernet over Multimode Fiber up to 2km**

2009/04/6

Many existing multimode fiber cables, which were installed originally for Fast Ethernet 100Mbps have a demand to upgrade for running Gigabit Ethernet 1000Mbps more than 500 meters or up to 2km.

The steps are:

1. Make sure MMF quality meets **Modal Bandwidth 500 (MHz-km) or better**.
2. Use KTI's "SFP-GLM-AX-1310" SFP transceivers in your Gigabit Ethernet devices for the connection.

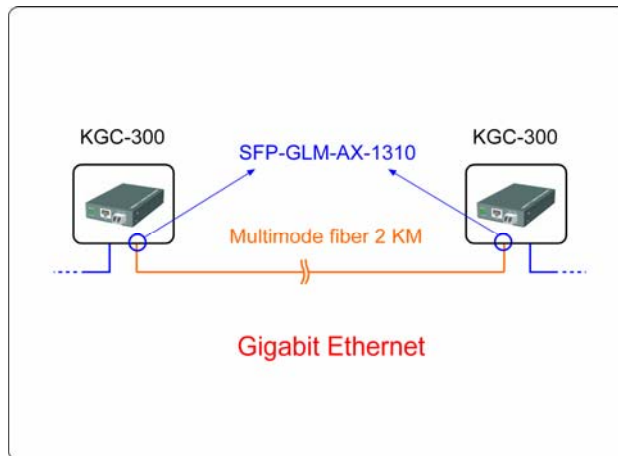


Figure1. KGC-300 Gigabit Ethernet media converter installed with SFP-GLM-AX-1310

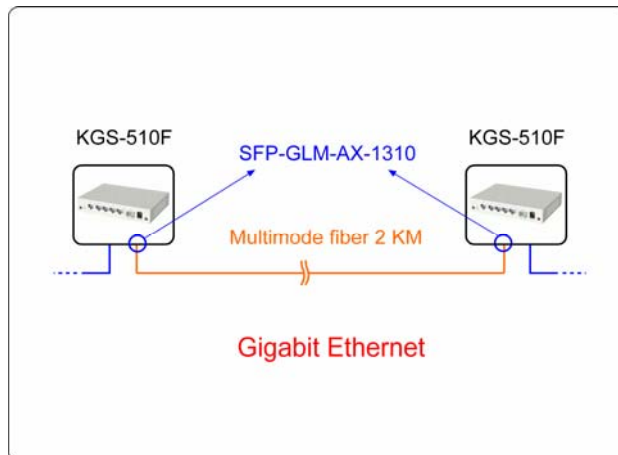


Figure2. KGS-510F Gigabit Ethernet switch installed with SFP-GLM-AX-1310

### **Ordering Part Numbers of the SFP Transceivers**

Commercial Temperature Rating: SFP-GLM-AX-1310

Industrial Temperature Rating: SFP-GLM-A-AX-1310